

**SPECIFICATIONS:**

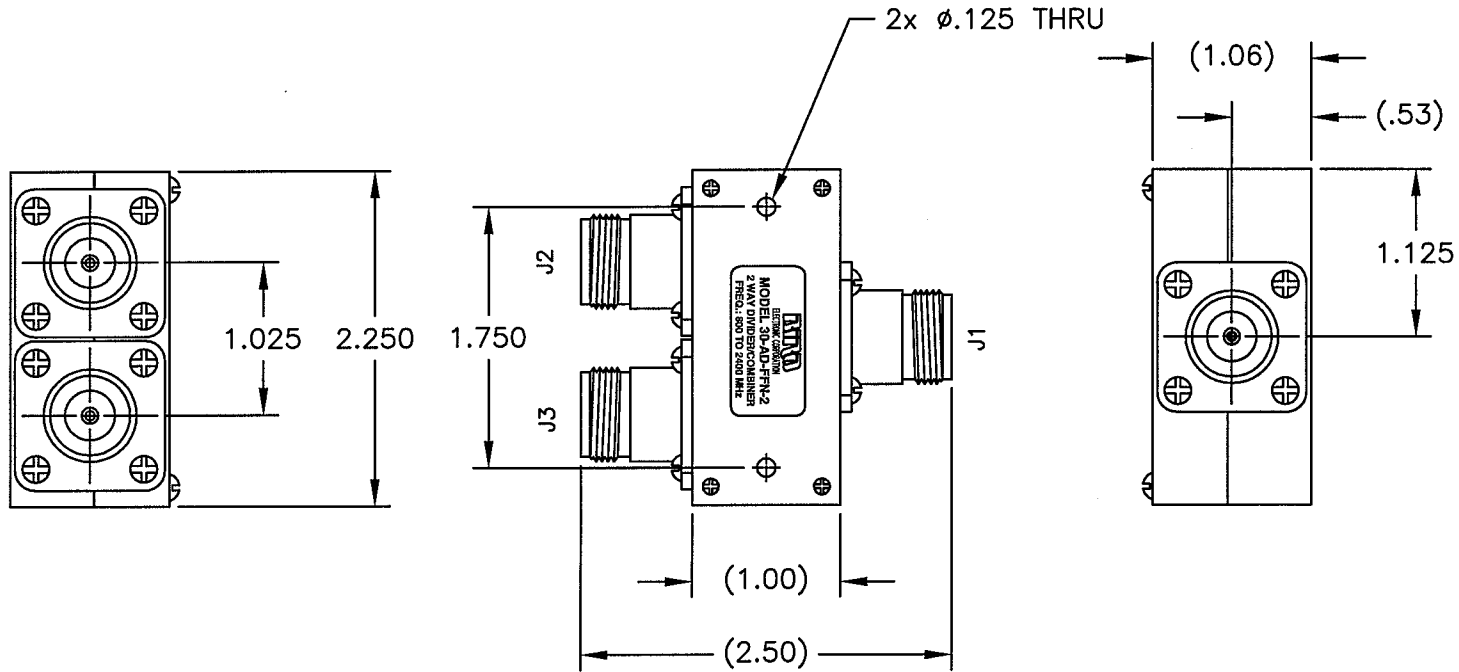
POWER RATING: 30 WATTS INTO 1.15:1  
 : 10 WATTS INTO 1.50:1  
 : 1 WATT INTO OPEN

WHEN BOLTED TO A SUITABLE HEAT SINK CAPABLE OF  
 MAINTAINING A CASE TEMPERATURE OF 100 DEG. C MAX.

FREQUENCY RANGE: 800 MHz TO 2.4 GHz  
 INSERTION LOSS: < 0.5 dB (ABOVE 3dB SPLIT)  
 ISOLATION: > 25dB MIN. (J2 TO J3)  
 VSWR: 1.20:1 MAX  
 MATCHING: < 2 DEGREE PHASE (TYP. 0.5 DEG)  
 < 0.5dB AMPLITUDE

CONNECTORS: N-TYPE FEMALE (BRASS, TRI-ALLOY PLATED)  
 HOUSING: ALUMINUM, YELLOW IRIDITE

REVISIONS		DWG. NO.	30-AD-FFN-2	SHEET	REV
ZONE	REV	DESCRIPTION	DATE	APPROVED	
	A	RELEASED TO PRODUCTION	3-14-00	<i>MEJ</i>	

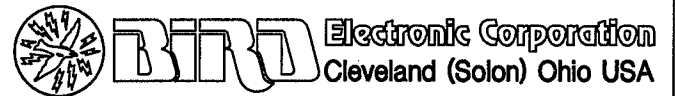


UNLESS OTHERWISE SPECIFIED  
 DIMENSIONS ARE IN INCHES  
 TOLERANCES ARE:  
 FRACTIONS DECIMALS ANGLES  
 ± 1/64 .XX = ± .010 ± 30'

MILLIMETERS  
 .X = ± .4  
 .XX = ± .12

DO NOT SCALE DRAWING

THIS DRAWING IS THE PROPERTY OF THE BIRD ELECTRONIC CORPORATION. THE DESIGNS AND SPECIFICATIONS DISCLOSED HEREON ARE PROPRIETARY AND SHALL NOT BE REPRODUCED, NOR COPIED, NOR USED AS THE BASIS FOR THE MANUFACTURE OR SALE OF APPARATUS OR DEVICES WITHOUT THEIR EXPRESS WRITTEN CONSENT.



MATERIAL	APPROVALS	DATE	TITLE		
	DRAWN D.M.RINK	5-28-03	DIVIDER/COMBINER, 2-WAY W/N-TYPE FEMALE, 800 MHz TO 2.4 GHz		
FINISH	CHECKED		SIZE	FSCM NO.	DWG. NO.
	APPROVED <i>MEJ</i>	6-6-03	A	70998	30-AD-FFN-2
		AUTOCAD	SCALE	1:1	COMM CODE BC3
			SHEET	1 OF 1	REV A